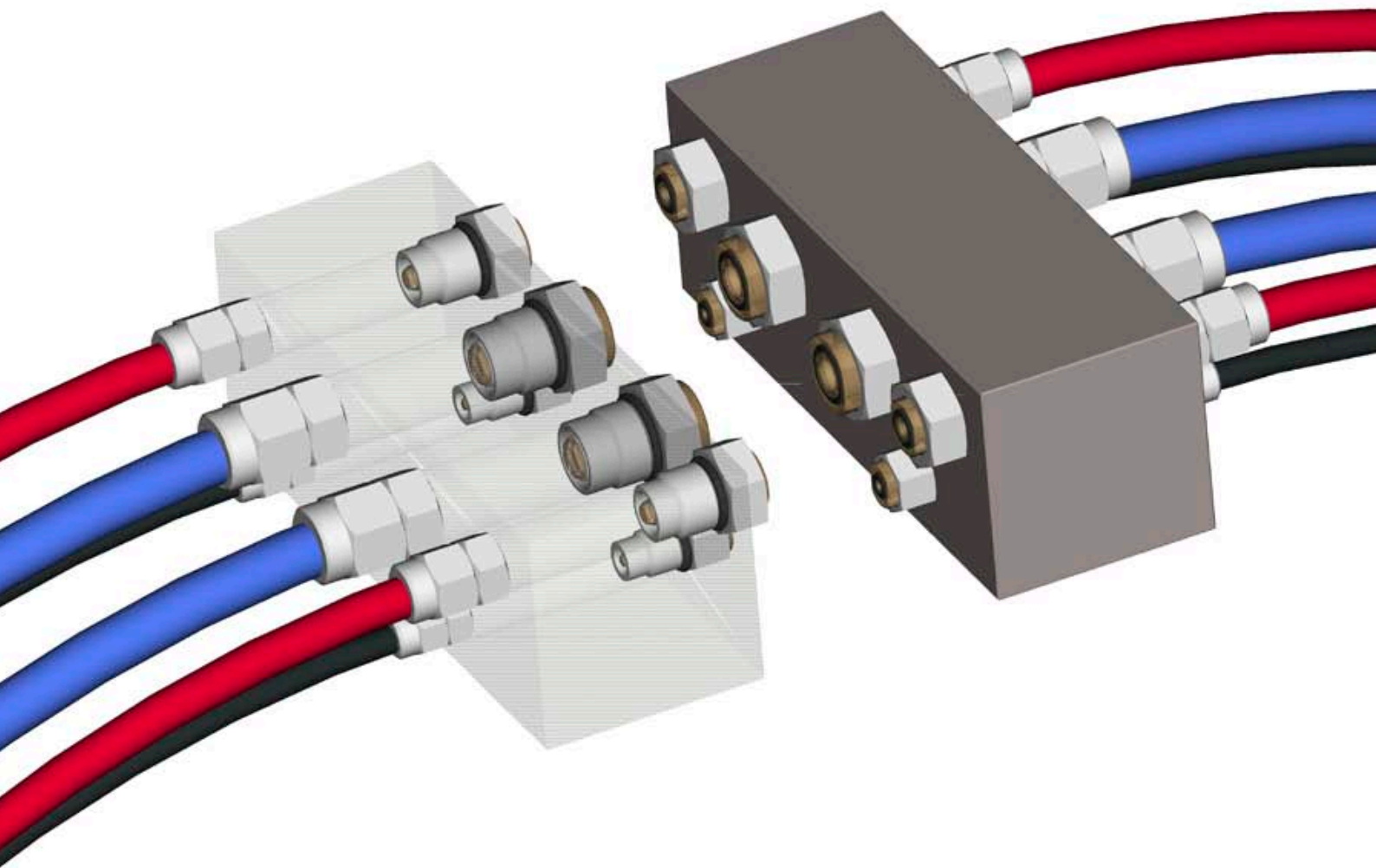




Auto-Couplings

*A unique patented concept
of manifold couplings*



Self-sealing couplings that engage with or without nipples!



The couplings are intended for use in manifold connection systems for transferring compressed air and other media. The unique feature of this coupling is the valve design, which allows the coupling to seal against a mating block. The nipples are also included in the range for use when double shut off is required.

Time still means money.

Providing the industry with proven equipment aimed at minimizing tool change downtime has become a speciality for CEJN. These pneumatic auto couplings are part of our range of couplings for manifold systems.

Major advantages

Generous misalignment capability, reduced distance to connect, easy installation, eliminate misconnections, self-sealing couplings increased productivity!

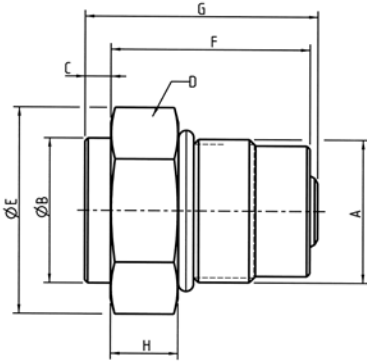
Typical application fields.

Transfer presses, Tool change systems, Pneumatic connections on Palletizing equipment, Plastic injection molding machines, Robotics, Automated connections of airlines etc.

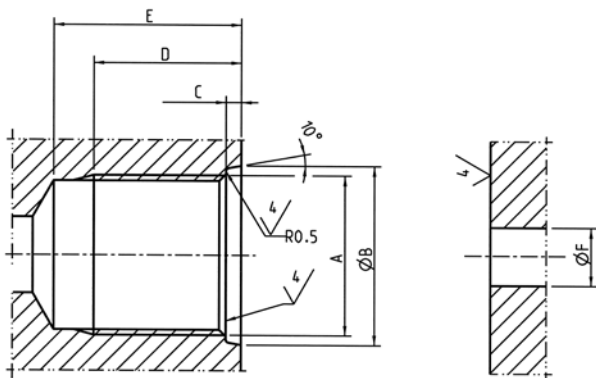


Technical specification

Max working pressure:	10 bar (140 PSI)
Min burst pressure:	40 bar (580 PSI)
Temperature range:	-5°C to +80°C (23°F to 176°F)
Coupling body:	Brass, nickel plated
Valve:	Brass
Seal material:	Nitrile

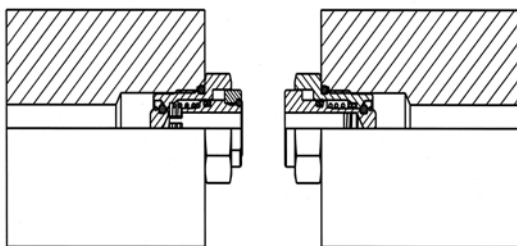


		Size DN	Part No.	Connection (A)	B	C	D	E	F	G	H
Couplings	Female thread	2.5	10 961 1583	M14x1.5	∅13.8	2.5	17	33.7	30.8	32.3	11.3
		5.0	10 971 1586	M20x1.5	∅17.3	2.5	25	35.9	32.7	35.9	11.3
		10.0	10 981 1588	M24x1.5	∅24.3	4.3	30	36.3	33.3	38.9	11.3
Nipples	Female thread	2.5	10 961 6583	M14x1.5	∅13.8	2.5	17	33.7	30.8	32.3	11.3
		5.0	10 971 6586	M20x1.5	∅17.3	2.5	25	35.9	32.7	35.9	11.3
		10.0	10 981 6588	M24x1.5	∅24.3	4.3	30	36.3	33.3	38.9	11.3



	A	B	C	D Min.	E. Min	F Max.
Series 961	M14x1.5	16.9 ^{+0.1}	2.3 ^{+0.1}	14	20	2.5
Series 971	M20x1.5	22.9 ^{+0.1}	2.3 ^{+0.1}	22	28	5.0
Series 981	M24x1.5	26.9 ^{+0.1}	2.3 ^{+0.1}	22	28	10.0

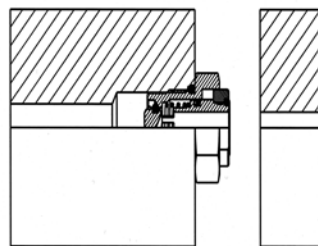
Double shut-off installation



Coupling

Nipple

Single shut-off installation



Coupling

Block

The Global



***Quick Connect
Specialist***



Traditions and Innovations.

**Quick connect couplings and systems for
compressed air, low and high pressure hydraulics,
fluids, gases and breathing air applications.**

www.cejn.com